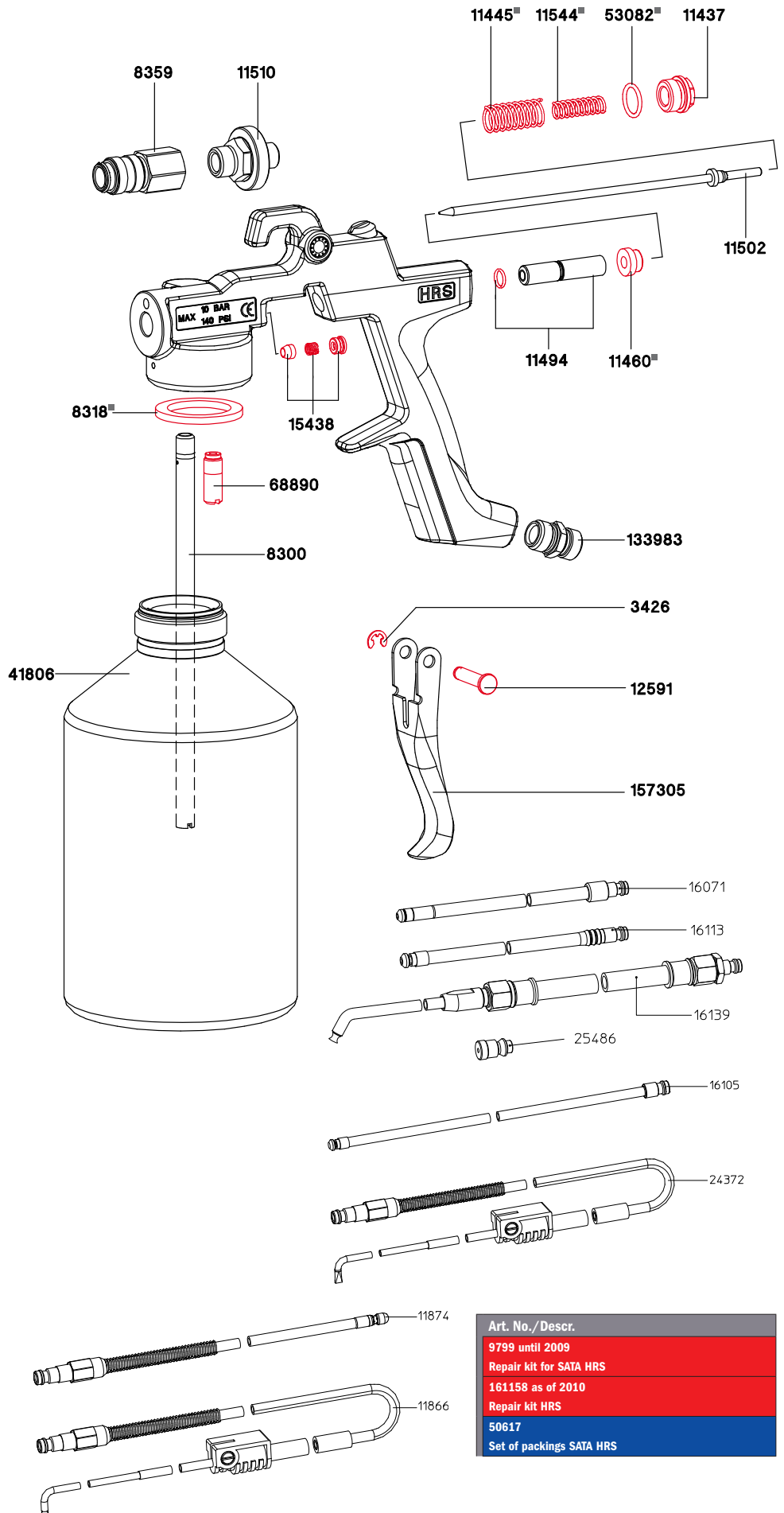


# Spare Parts SATA® HRS™

Original SATA spare parts to enhance the lifetime of the spray gun

Art. No./Descr.	
3426	Safety washer 4 mm DIN 6799 stainless steel for trigger
8300	Suction pipe , drilled
8318	Sealing ring
8359	Material coupling for clear passage for wand systems
11437	End screw
11445	Compression spring
11460	Air piston
11494	Cam rod , complete with O-ring
11502	Paint needle 1,5 , complete with needle sleeve
11510	Mixing cap , completely machined
11544	Compression spring for paint needle
12591	Bracket bolt for SATA paint spray guns except for SATA minijet
15438	Paint needle packing
16071	Fixed door wand (steel) 1.300 mm, Ø 8 mm, with radial nozzle 360° radial fan
16113	Flexible nylon wand 1.300 mm, Ø 8 mm, with radial nozzle 360° radial fan
16139	Venturi hook wand Ø 7 mm, with flexible guideway hose, Venturi spraying tube, for cavity and surface application
35204	Wear-and-tear parts kit
41806	1 liter aluminium pressure pot max. pressure 10 bar/150psi complete with threaded ring
53082	O ring 12 x 1.5 mm, made of Perbunan
68890	Valve cpl.
133983	Air connection piece G1/4a
157305	Trigger HRS, nickel-plated

11866	Venturi hook wand Ø 4 mm, with flexible guideway hose, Venturi spraying tube, for cavity and surface application
11874	Flexible nylon wand 1.500 mm, Ø 6 mm, with radial nozzle 360° radial fan and spraying diagonally backwards and forwards
16105	Flexible nylon wand 1.500 mm, Ø 6 mm, with radial nozzle 360° radial fan
24372	Flat hook nozzle for HRS
25486	Round spray nozzle for surface application and underbody protection



Art. No./Descr.	
9799 until 2009	Repair kit for SATA HRS
161158 as of 2010	Repair kit HRS
50617	Set of packings SATA HRS

All prices are suggested list prices. Errors, technical modifications and printing errors reserved.